

17 Bipartite Matching via Flows

Which flow algorithm to use?

- ▶ Generic augmenting path: $\mathcal{O}(m \cdot \text{val}(f^*)) = \mathcal{O}(mn)$.
- ▶ Capacity scaling: $\mathcal{O}(m^2 \log C) = \mathcal{O}(m^2)$.

18 Augmenting Paths for Matchings

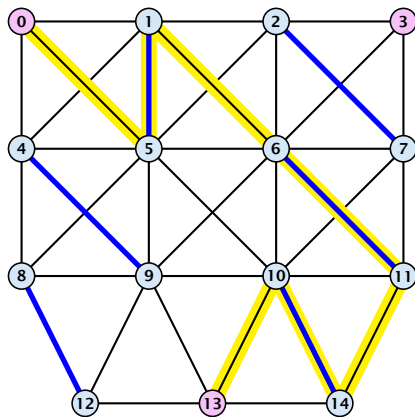
Definitions.

- ▶ Given a matching M in a graph G , a vertex that is not incident to any edge of M is called a **free vertex** w. r. t. M .
- ▶ For a matching M a path P in G is called an **alternating path** if edges in M alternate with edges not in M .
- ▶ An alternating path is called an **augmenting path** for matching M if it ends at distinct free vertices.

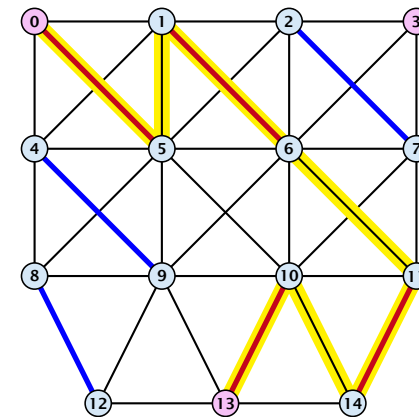
Theorem 1

A matching M is a maximum matching if and only if there is no augmenting path w. r. t. M .

Augmenting Paths in Action



Augmenting Paths in Action



18 Augmenting Paths for Matchings

Proof.

- ⇒ If M is maximum there is no augmenting path P , because we could switch matching and non-matching edges along P . This gives matching $M' = M \oplus P$ with larger cardinality.
- ⇐ Suppose there is a matching M' with larger cardinality. Consider the graph H with edge-set $M' \oplus M$ (i.e., only edges that are in either M or M' but not in both).

Each vertex can be incident to at most two edges (one from M and one from M'). Hence, the connected components are alternating cycles or alternating path.

As $|M'| > |M|$ there is one connected component that is a path P for which both endpoints are incident to edges from M' . P is an alternating path.

18 Augmenting Paths for Matchings

Algorithmic idea:

As long as you find an augmenting path augment your matching using this path. When you arrive at a matching for which no augmenting path exists you have a maximum matching.

Theorem 2

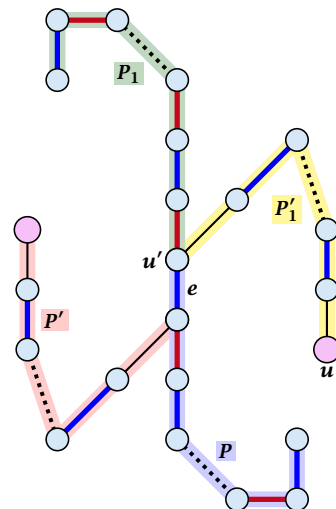
Let G be a graph, M a matching in G , and let u be a free vertex w.r.t. M . Further let P denote an augmenting path w.r.t. M and let $M' = M \oplus P$ denote the matching resulting from augmenting M with P . If there was no augmenting path starting at u in M then there is no augmenting path starting at u in M' .

The above theorem allows for an easier implementation of an augmenting path algorithm. Once we checked for augmenting paths starting from u we don't have to check for such paths in future rounds.

18 Augmenting Paths for Matchings

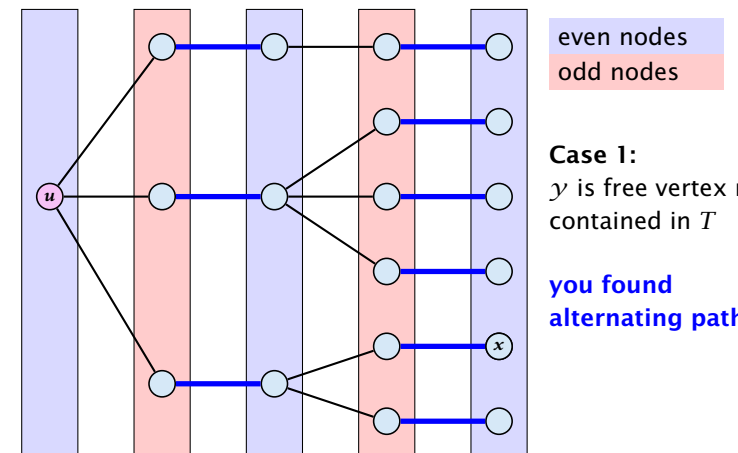
Proof

- ▶ Assume there is an augmenting path P' w.r.t. M' starting at u .
- ▶ If P' and P are node-disjoint, P' is also augmenting path w.r.t. M (♣).
- ▶ Let u' be the first node on P' that is in P , and let e be the matching edge from M' incident to u' .
- ▶ u' splits P into two parts one of which does not contain e . Call this part P_1 . Denote the sub-path of P' from u to u' with P'_1 .
- ▶ $P_1 \circ P'_1$ is augmenting path in M (♣).



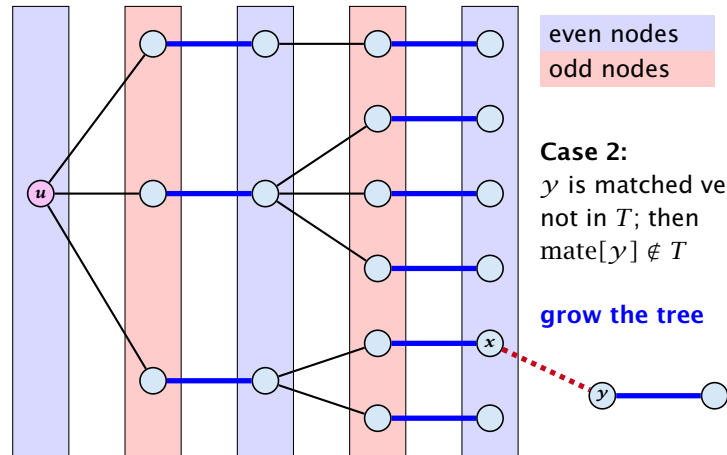
How to find an augmenting path?

Construct an alternating tree.



How to find an augmenting path?

Construct an alternating tree.

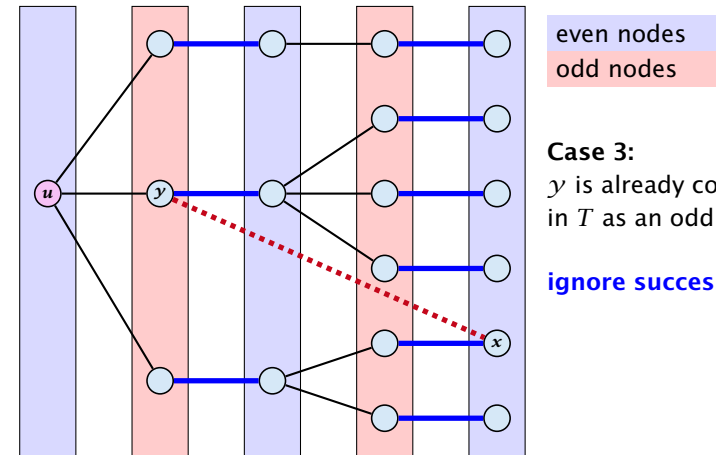


Case 2:
 y is matched vertex
 not in T ; then
 $\text{mate}[y] \notin T$

grow the tree

How to find an augmenting path?

Construct an alternating tree.

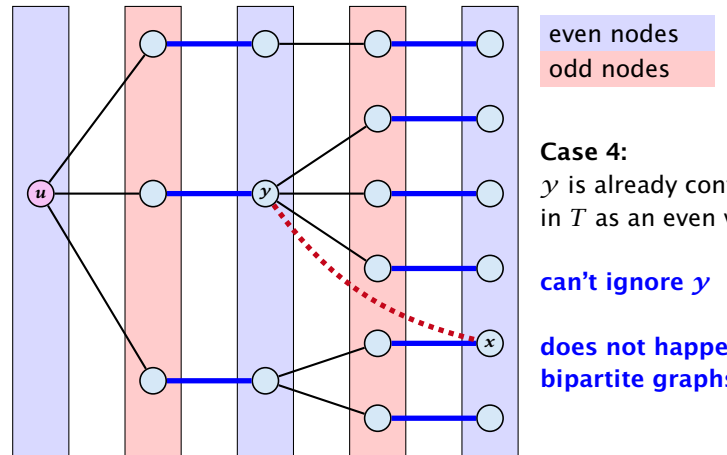


Case 3:
 y is already contained
 in T as an odd vertex

ignore successor y

How to find an augmenting path?

Construct an alternating tree.



Case 4:
 y is already contained
 in T as an even vertex

can't ignore y

does not happen in
 bipartite graphs

Algorithm 52 BiMatch($G, match$)

```

1: for  $x \in V$  do  $\text{mate}[x] \leftarrow 0$ ;
2:  $r \leftarrow 0$ ;  $\text{free} \leftarrow n$ ;
3: while  $\text{free} \geq 1$  and  $r < n$  do
4:    $r \leftarrow r + 1$ 
5:   if  $\text{mate}[r] = 0$  then
6:     for  $i = 1$  to  $m$  do  $\text{parent}[i'] \leftarrow 0$ 
7:      $Q \leftarrow \emptyset$ ;  $Q.append(r)$ ;  $\text{aug} \leftarrow \text{false}$ ;
8:     while  $\text{aug} = \text{false}$  and  $Q \neq \emptyset$  do
9:        $x \leftarrow Q.dequeue()$ ;
10:      for  $y \in A_x$  do
11:        if  $\text{mate}[y] = 0$  then
12:           $\text{augm}(\text{mate}, \text{parent}, y)$ ;
13:           $\text{aug} \leftarrow \text{true}$ ;
14:           $\text{free} \leftarrow \text{free} - 1$ ;
15:        else
16:          if  $\text{parent}[y] = 0$  then
17:             $\text{parent}[y] \leftarrow x$ ;
18:             $Q.enqueue(\text{mate}[y])$ ;

```

graph $G = (S \cup S', E)$
 $S = \{1, \dots, n\}$
 $S' = \{1', \dots, n'\}$

The lecture version of the slides contains a step-by-step explanation of the algorithm.