

MB-JASS

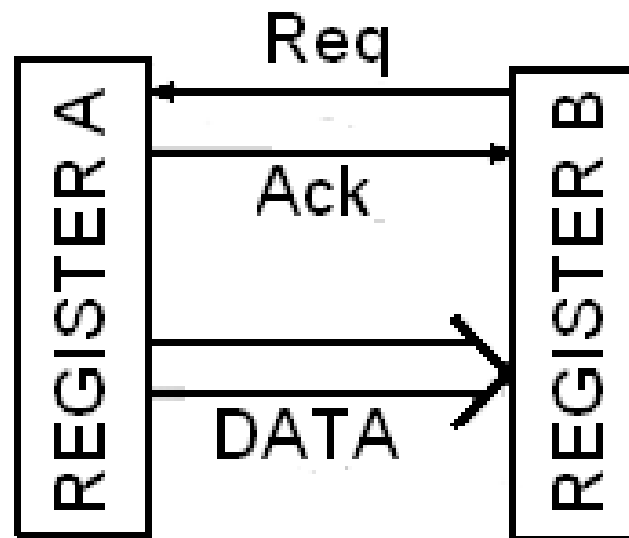
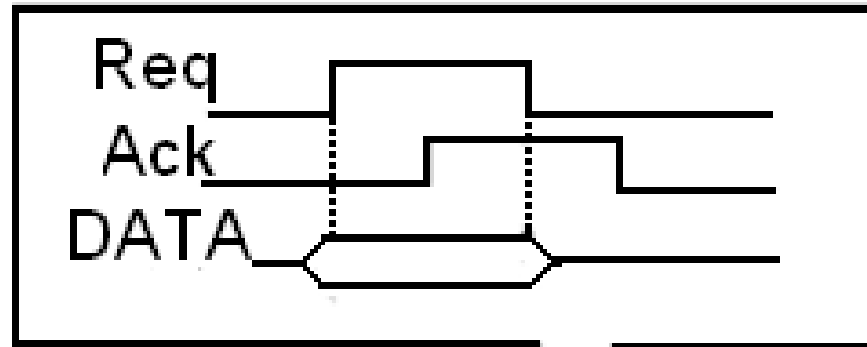
Asynchronous circuits as
alternative way of digital
computing

Stanislav Gusev, MIEE

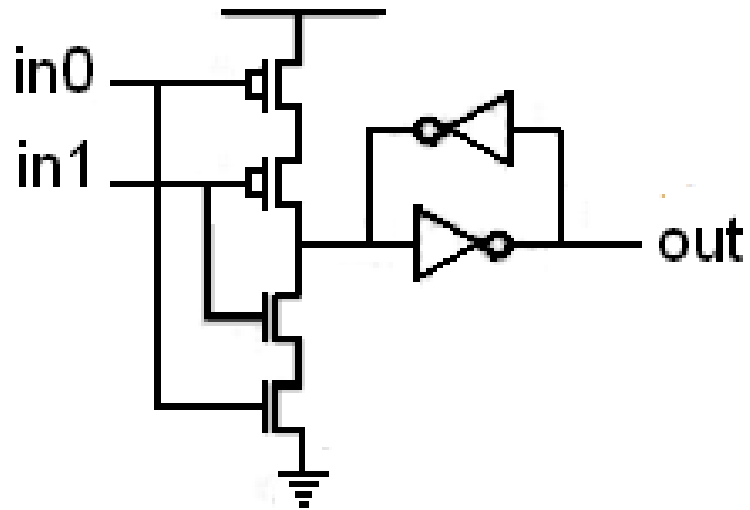
Synchronous design challenges

- Problem of clock distribution over the crystal.
synchronization takes up to 30 % of the crystal area.
and power consumption.
- Artificial restriction of performance.
global worst-case latency.
- Power consumption.
each trigger switches during the clock, even if no new data.
- Emission of electro-magnetic noise.
due to simultaneously switching of all triggers over the circuit.

Principle of asynchronous design

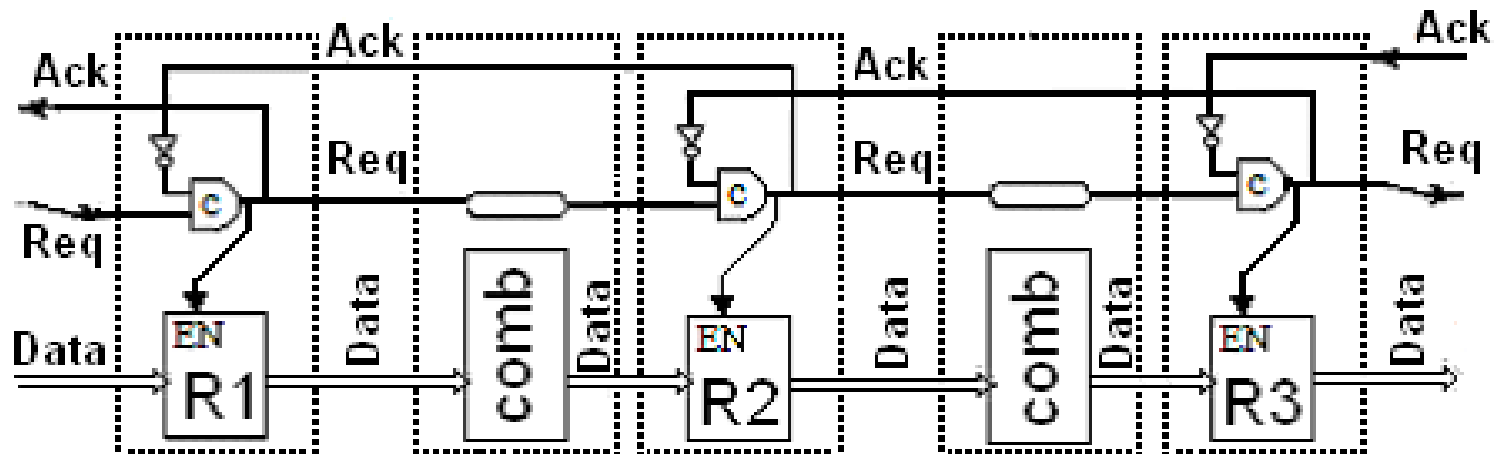
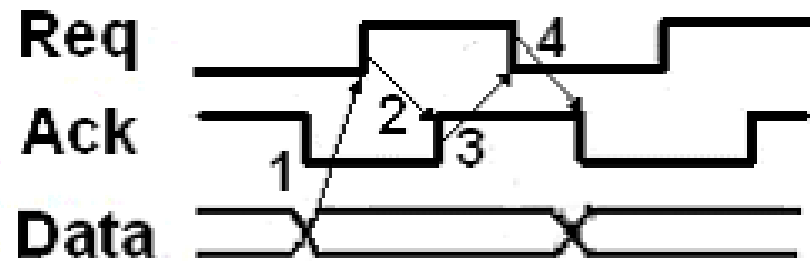


C-element

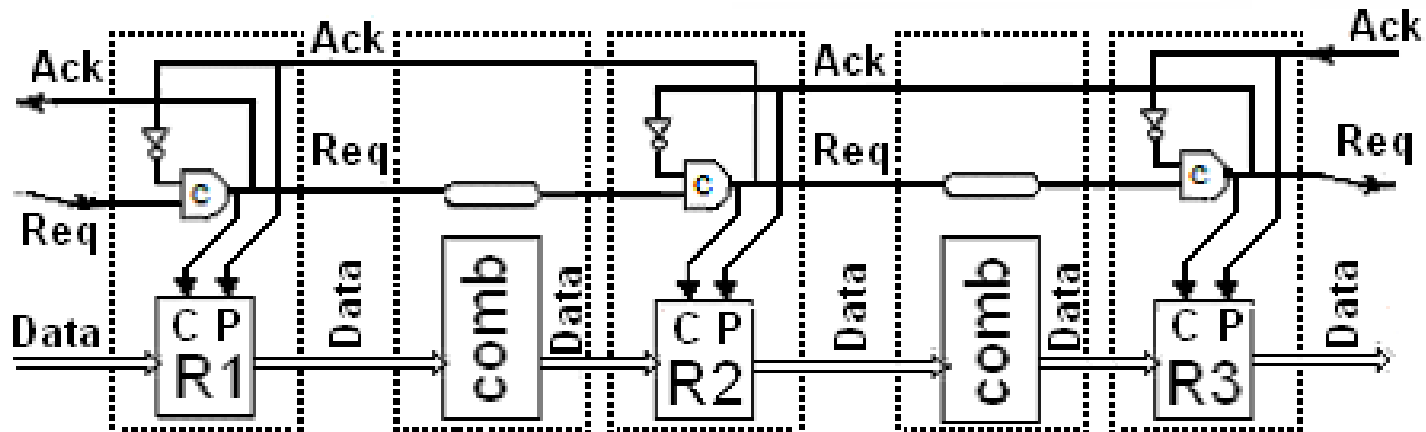
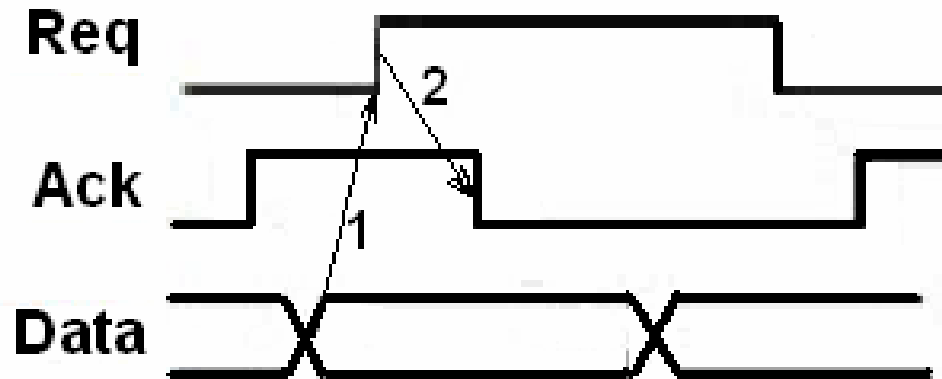


<i>a</i>	<i>b</i>	<i>y</i> (<i>n</i>)
<i>0</i>	<i>0</i>	<i>0</i>
<i>0</i>	<i>1</i>	<i>y</i> (<i>n</i> -1)
<i>1</i>	<i>0</i>	<i>y</i> (<i>n</i> -1)
<i>1</i>	<i>1</i>	<i>1</i>

4-phase bundled data protocol

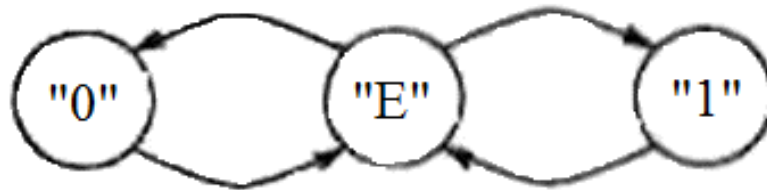


2-phase bundled data protocol

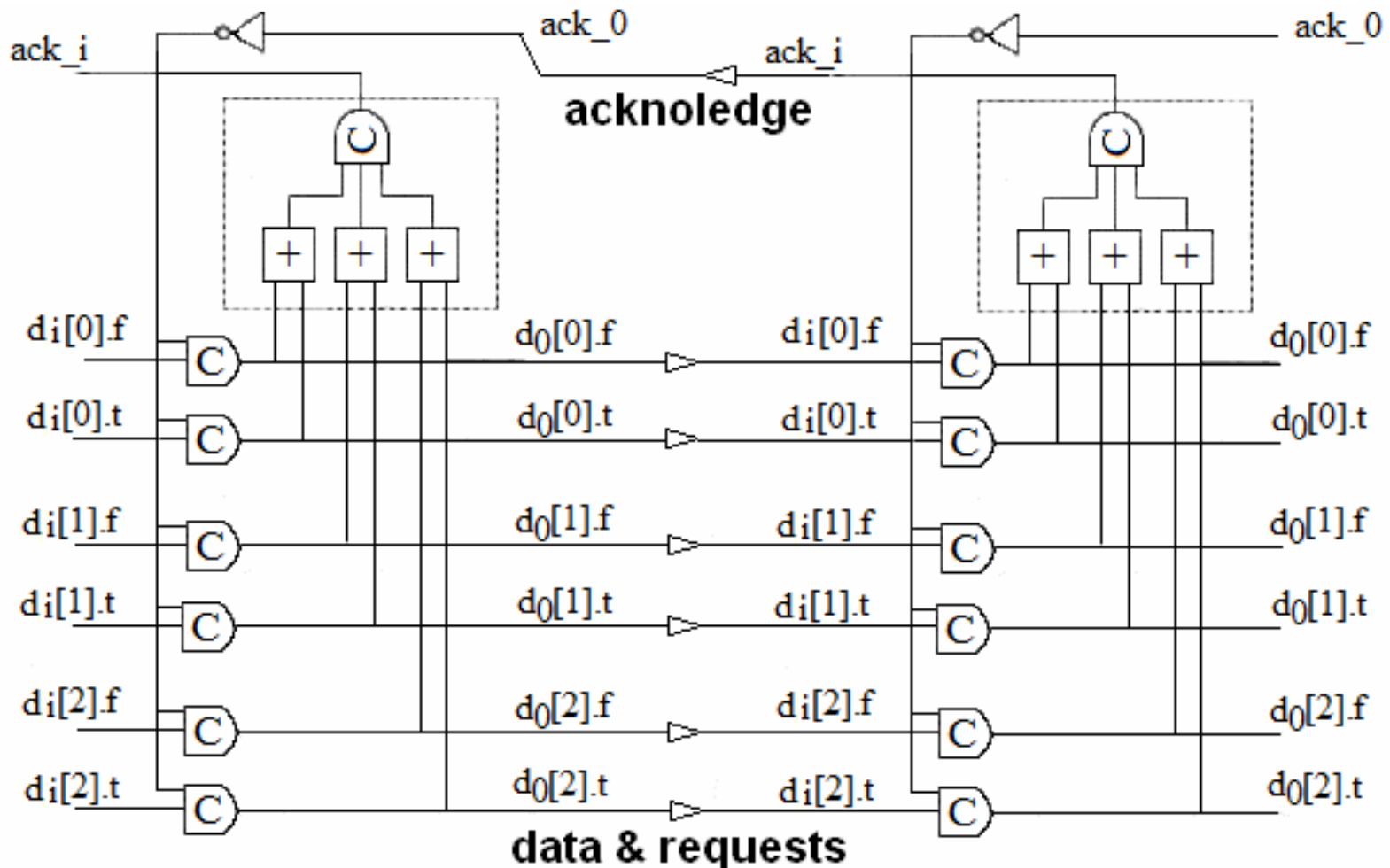


Dual-rail signals

	d.t	d.f
Empty state "E"	0	0
Logic "0"	0	1
Logic "1"	1	0
Forbidden state	1	1



Dual-rail FIFO pipeline



Complete truth table for dual-rail AND

a.f a.t	b.f b.t	y.f y.t
00	00	00
00	01	00
00	10	00
00	11	-
01	00	00
01	01	01
01	10	10
01	11	-
10	00	00
10	01	10
10	10	10
10	11	-
11	00	-
11	01	-
11	10	-
11	11	-

Complete truth table for dual-rail AND

a.f a.t	b.f b.t	y.f y.t
00	00	00
00	01	00
00	10	00
00	11	-
01	00	00
01	01	01
01	10	10
01	11	-
10	00	00
10	01	10
10	10	10
10	11	-
11	00	-
11	01	-
11	10	-
11	11	-

Truth table for dual-rail AND

a.f a.t	b.f b.t	y.f y.t
00	00	00
00	01	00
00	10	00
01	00	00
01	01	01
01	10	10
10	00	00
10	01	10
10	10	10

Truth table for dual-rail AND

a.f a.t	b.f b.t	y.f y.t
00	00	00
00	01	00
00	10	00
01	00	00
01	01	01
01	10	10
10	00	00
10	01	10
10	10	10

Construction of dual-rail AND

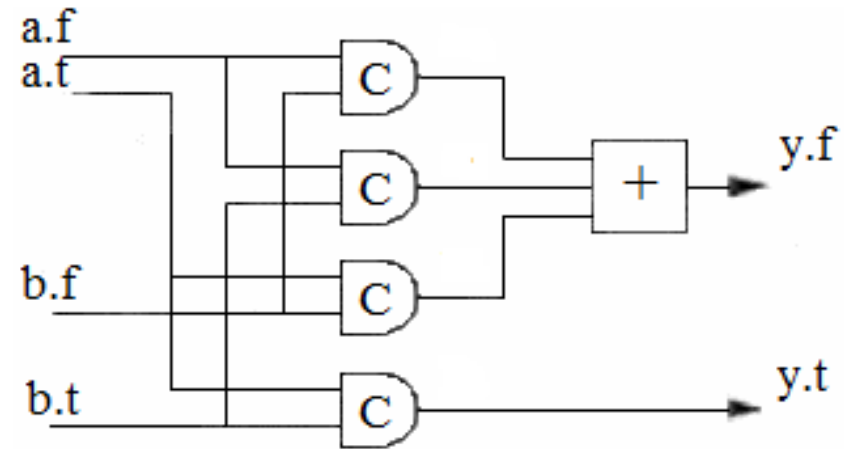
a.f	b.f	C1	C2	C3	C4	y.f
a.t	b.t					y.t
00	00	0	0	0	0	00
00	01	0	0	0	0	00
00	10	0	0	0	0	00
01	00	0	0	0	0	00
01	01	0	0	0	1	01
01	10	0	0	1	0	10
10	00	0	0	0	0	00
10	01	0	1	0	0	10
10	10	1	0	0	0	10

$$y.f = a.t \& b.t \mid$$

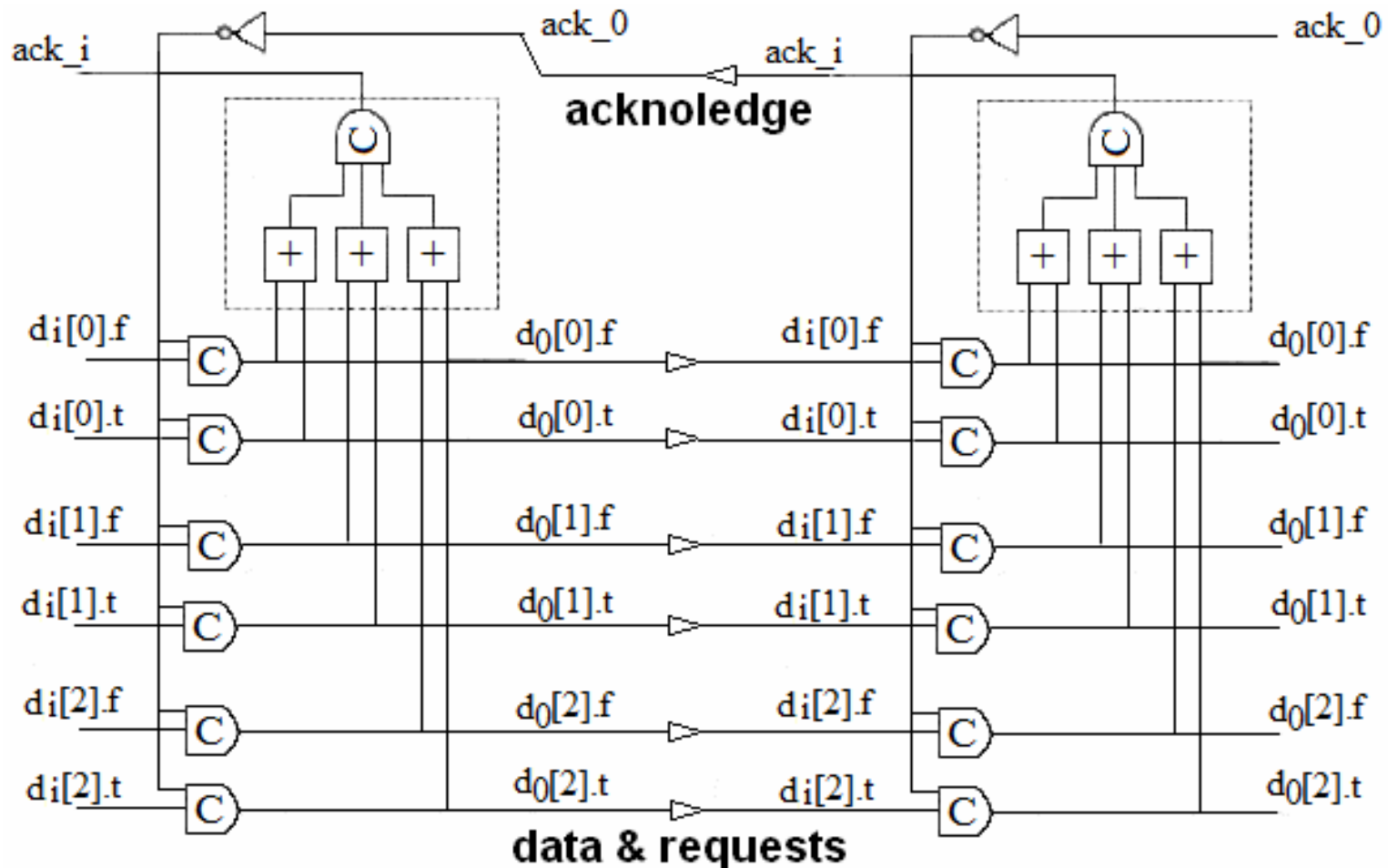
$$a.t \& b.f \mid$$

$$a.f \& b.t$$

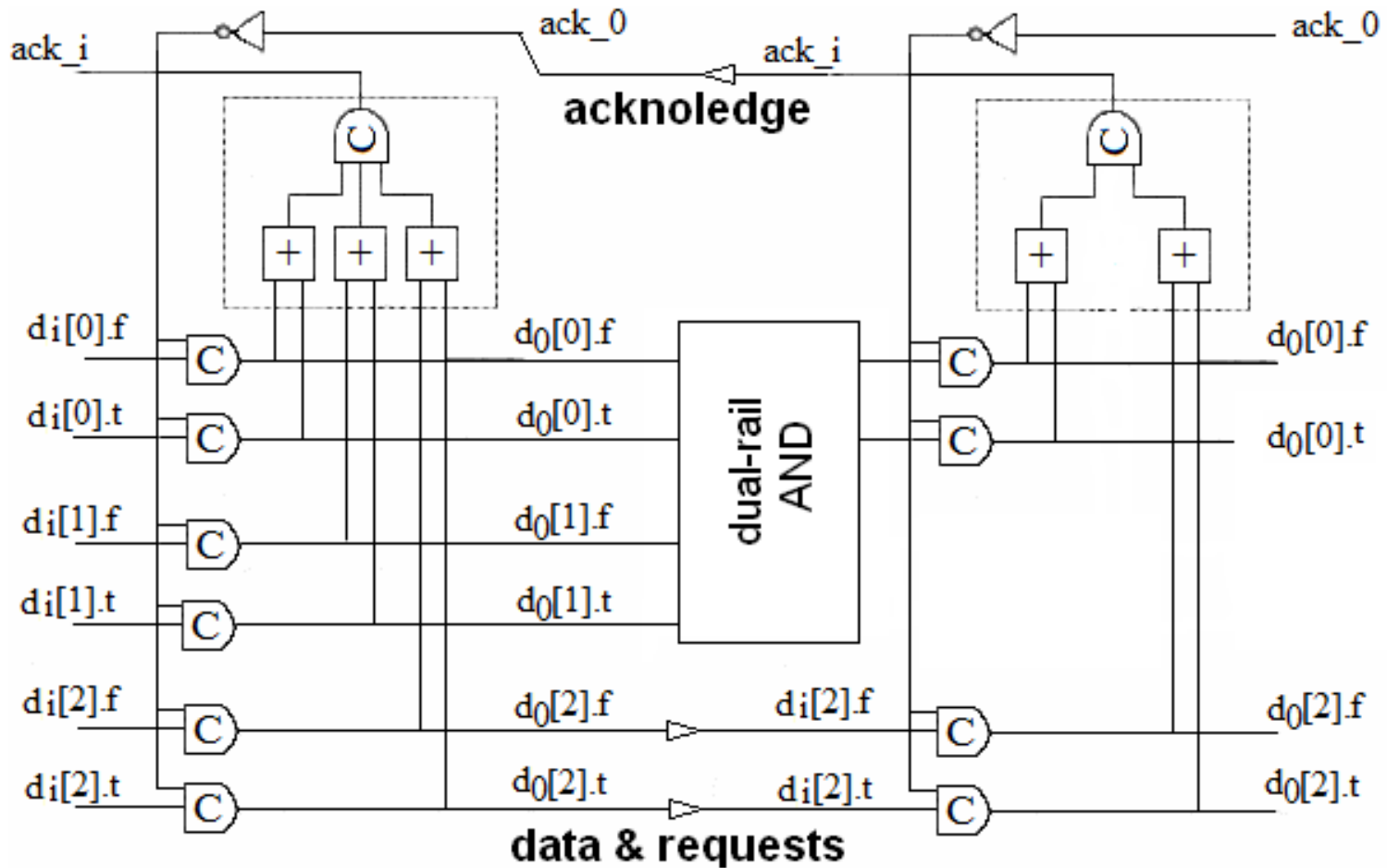
$$y.t = a.f \& b.f$$



Dual-rail FIFO circuit



Dual-rail AND circuit



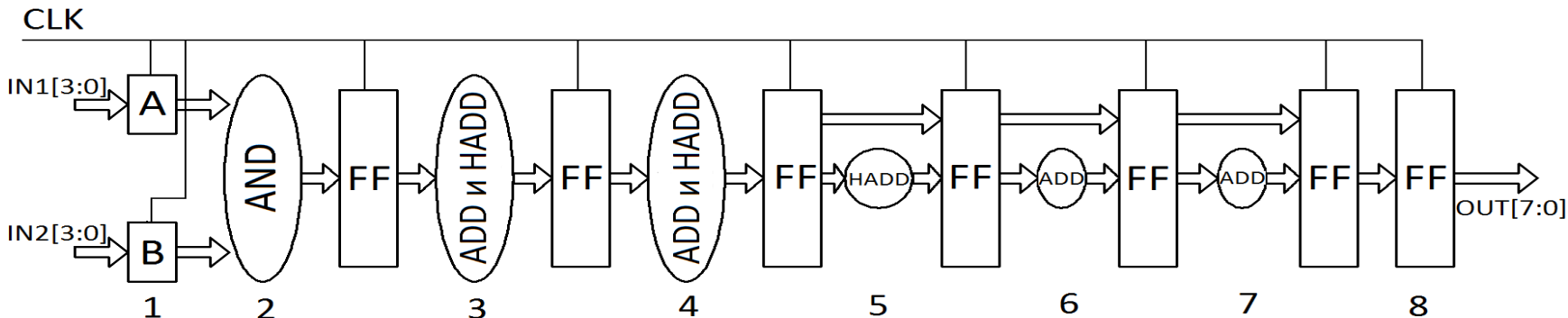
Self-timed protocols types

- Dual-rail or Bundled-data.
- 2-phase or 4-phase.
- Push channel or pull channel.

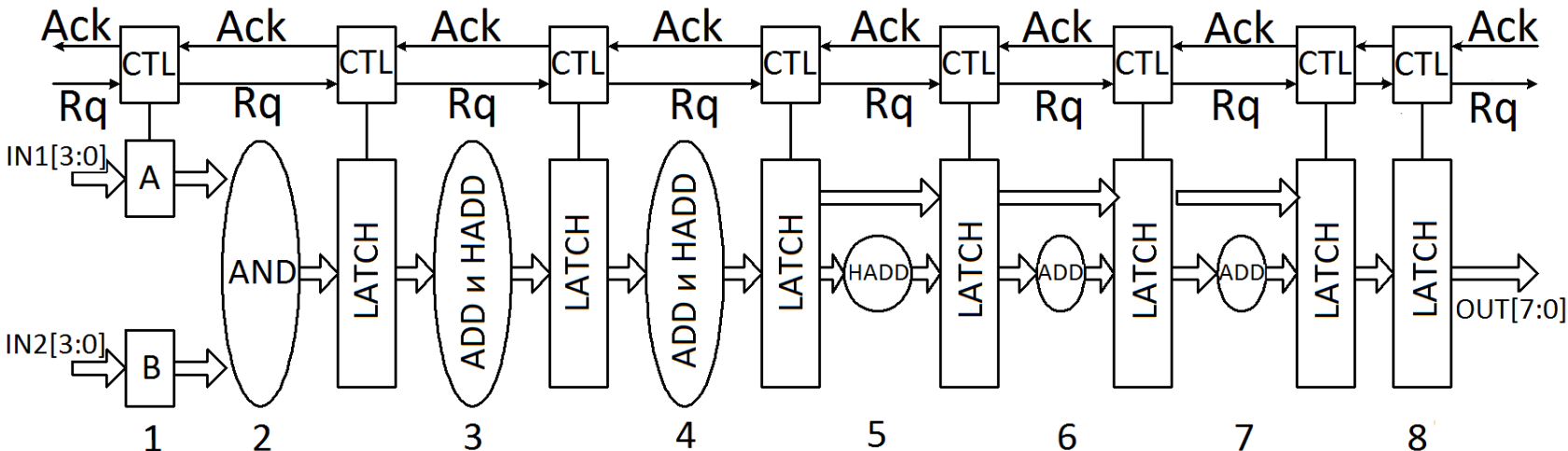
Self-timed circuit advantages

- **No clock distribution and clock skew problems,**
there is no global signal that needs to be distributed with minimal phase skew across the circuit
- **Less power consumption**
due to fine-grain clock gating and zero standby power consumption.
- **Native operating speed**
operating speed is determined by actual local latencies rather than global worst-case latency.
- **Small emission of electro-magnetic noise**
the local clocks tend to tick at random points in time.
- **Robustness towards variations in supply voltage, temperature, and fabrication process parameters.**
timing is based on matched delays (and can even be insensitive to circuit and wire delays).

Parallel multiplier implementations



Synchronous design

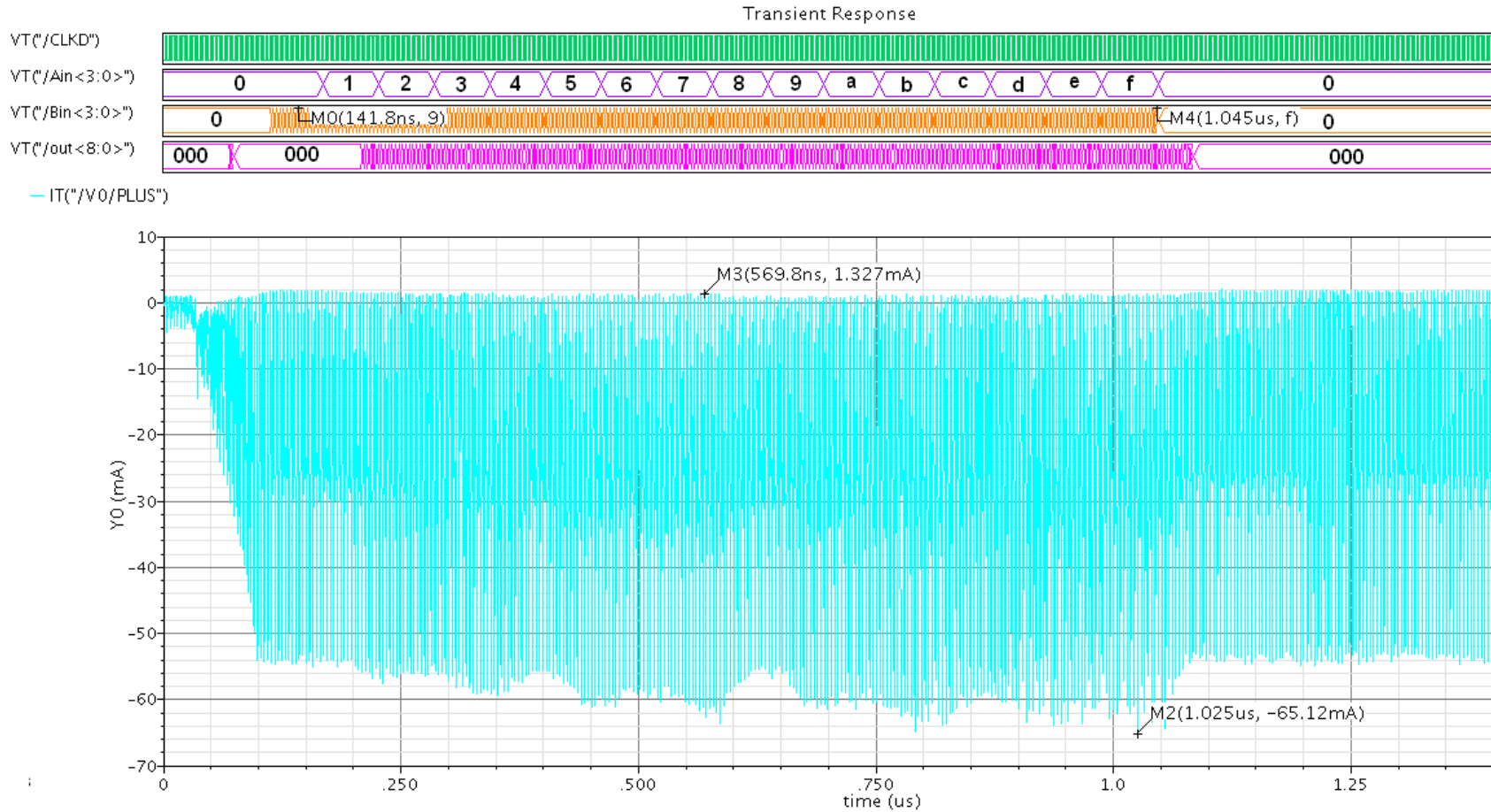


Asynchronous design

Compare designs table

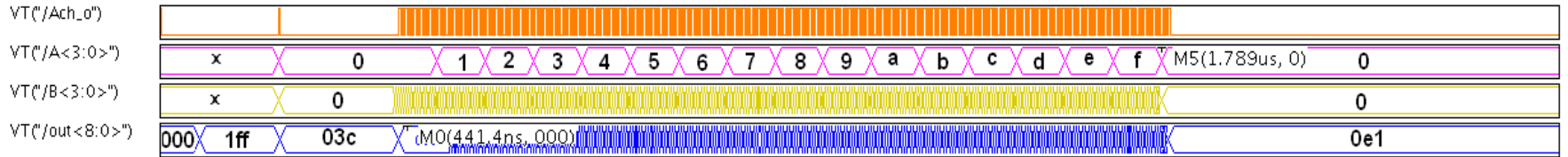
	Synchronous design		Asynchronous design	
	single	stream	single	stream
Period (equivalent for asynchronous) (ns)	3,66	3,66	2,8	3,4
Max temp (C)	66		>200	
Avr. current (mA)	12,02	20	0,29	14
Max current (mA)	18,9	65.12	5,95	30.39

Synchronous circuit current consumption diagram

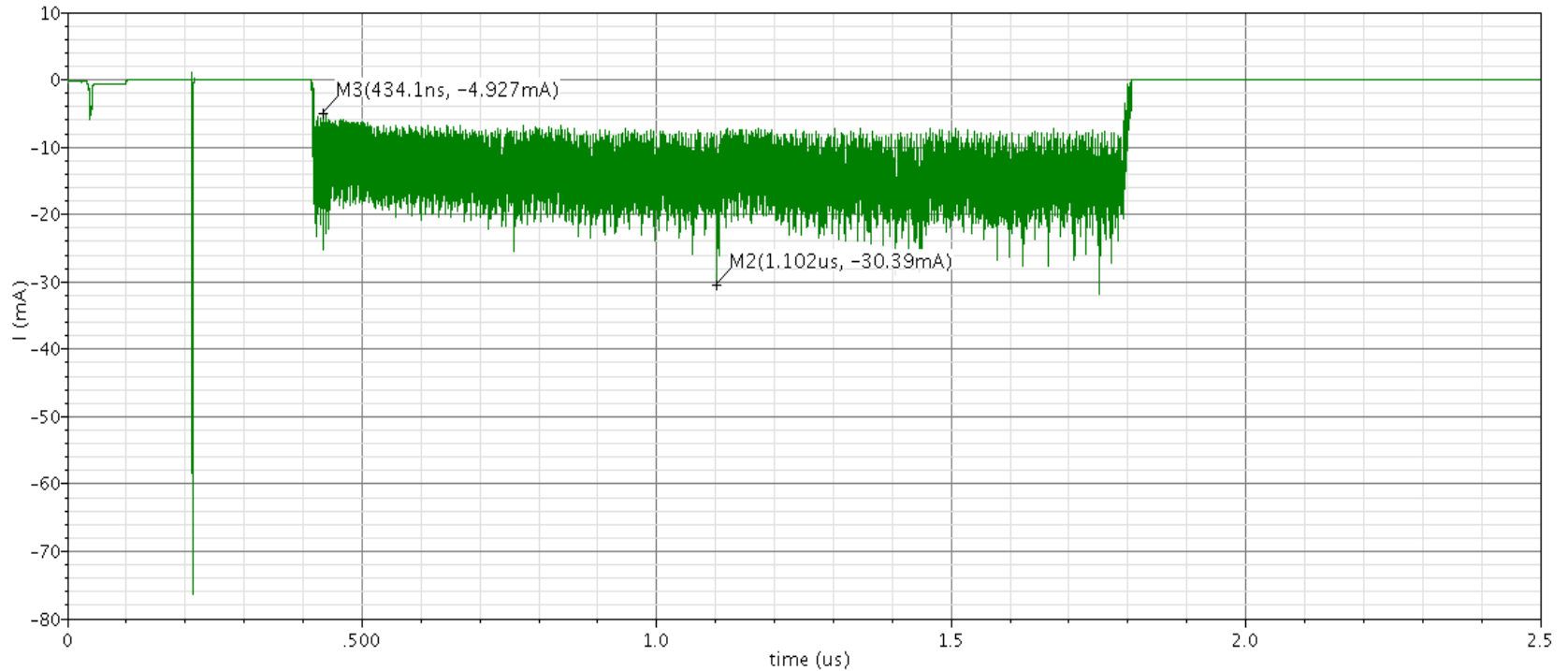


Self-timed circuit current consumption diagram

Transient Response



-IT("/V0/PLUS")



Thank You!